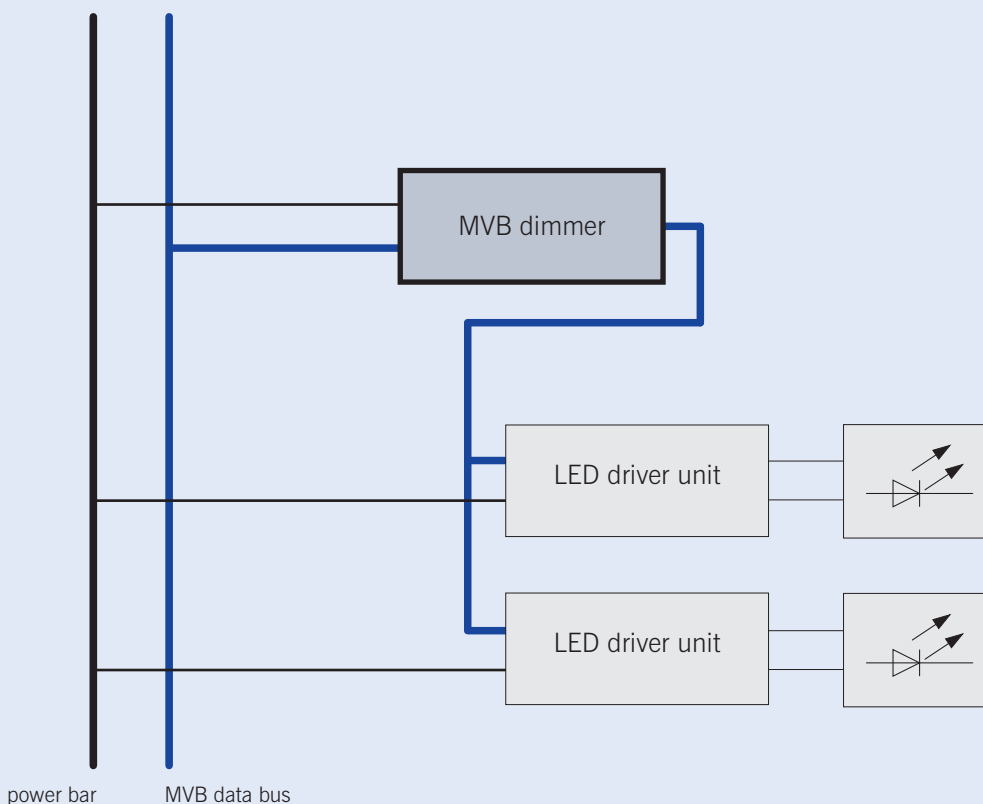


MVB Dimmer 143 566_613



The MVB dimmer allows the control of the lighting or individual segments over the MVB-data bus. A central control system in the train without additional cabling is possible.

References

- Regina Sweden



State: September 2010
 Technical subject to change without notice.

Technical parameters

MVB dimmer **Order no.:** 143 566_613

Technical parameters

Design: aluminium housing for DIN bus bar installation

Other technical data

Input voltage range:	24 V DC or 110 V DC
Power consumption:	1,5 W (without output power)
Ambient temperature:	-25 °C to +70 °C
Dimensions:	length/width/height 100/127/45 mm
Weight:	350 g
Tests:	EN 50155
	EN 50121-3-2
	IEC 61375

Housing dimensions on request.